

PLEASE CHECK WWW.MOLEX.COM FOR LATEST PART INFORMATION

Part Number: [1300060820](#)
Status: **Active**
Overview: [minichange_products](#)
Description: Mini-Change® A-Size Single-Ended Cordset, Straight Female to Pigtail, 4 Poles, 15.0m (49.21') Length

Documents:

[Drawing \(PDF\)](#) [RoHS Certificate of Compliance \(PDF\)](#)

Agency Certification

CSA LR6837
 UL E152210

General

Product Family Industrial Cordsets
 Series [130006](#)
 Comments A-Size (7/8" - 16 UN-2B)
 Connector End A Mini-Change®
 Connector End B Pigtail
 IP Rating IP67
 NEMA Rating NEMA 6
 Overview [minichange_products](#)
 Product Name Mini-Change®
 Type Single Ended

Physical

Cable Diameter 7.14mm (.281")
 Cable Length 15.0m (49.21')
 Color - Cable Jacket Yellow
 Coupling Style Threaded
 Gender Female-Pigtail
 Keyway Single
 LED Indicator No
 Material - Cable Jacket PVC
 Material - Connector Body PVC
 Material - Contact Copper
 Material - Coupling Nut Black Epoxy Coated Zinc
 Material - Plating Mating Gold
 Orientation Straight
 Poles 4
 Temperature Range - Operating -20°C to +105°C
 Wire Size AWG 18
 Wire/Cable Type UL 2661

Electrical

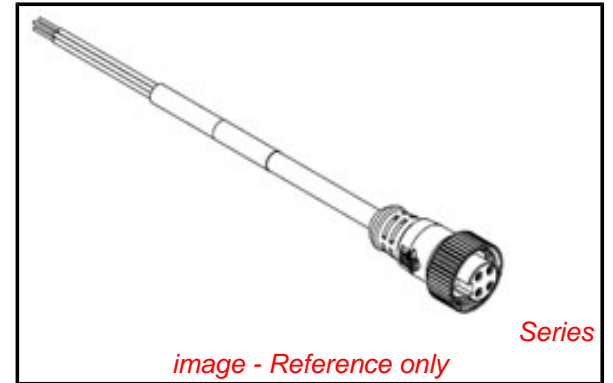
Current - Maximum per Contact 7A
 Voltage - Maximum 300V

Material Info

Old Part Number 104000A03F150

Reference - Drawing Numbers

Sales Drawing SD-130006-028



EU RoHS

ELV and RoHS Compliant
REACH SVHC
 Not Reviewed
Halogen-Free Status
 Not Reviewed

China RoHS



Need more information on product environmental compliance?

Email productcompliance@molex.com
 For a multiple part number RoHS Certificate of Compliance, [click here](#)

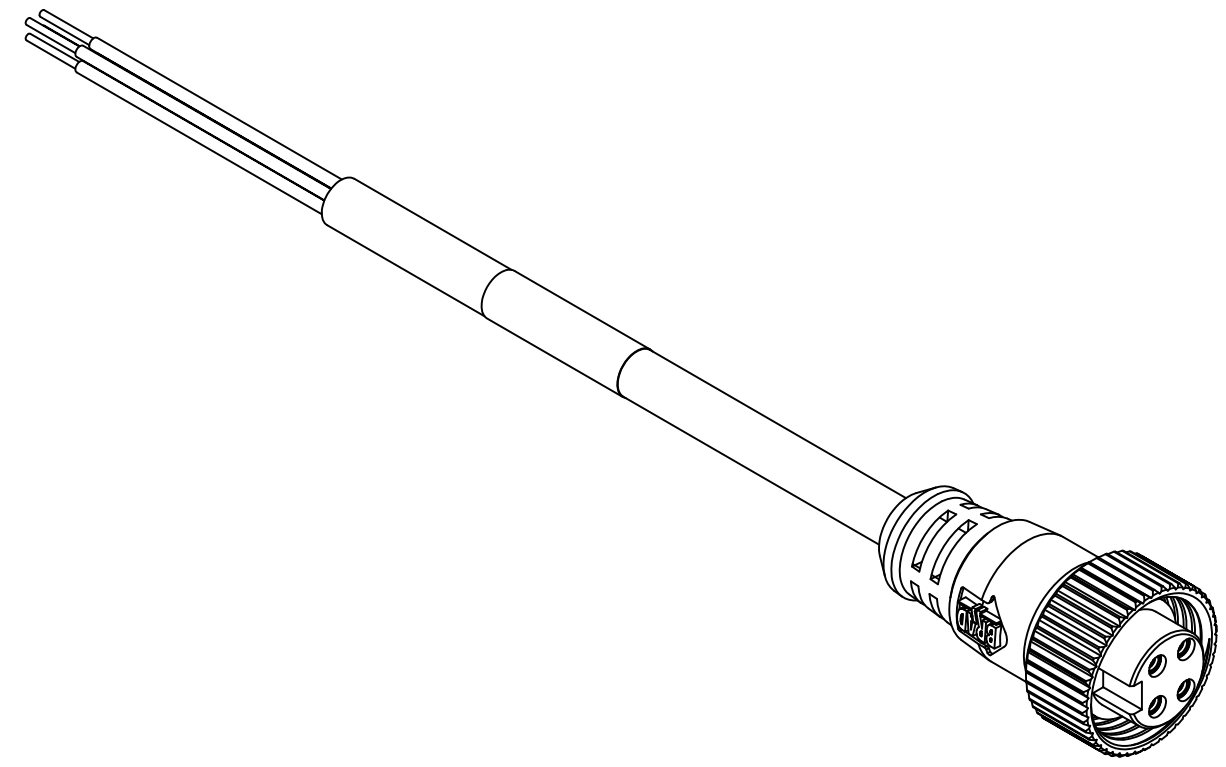
Please visit the [Contact Us](#) section for any non-product compliance questions.

Search Parts in this Series

130006Series

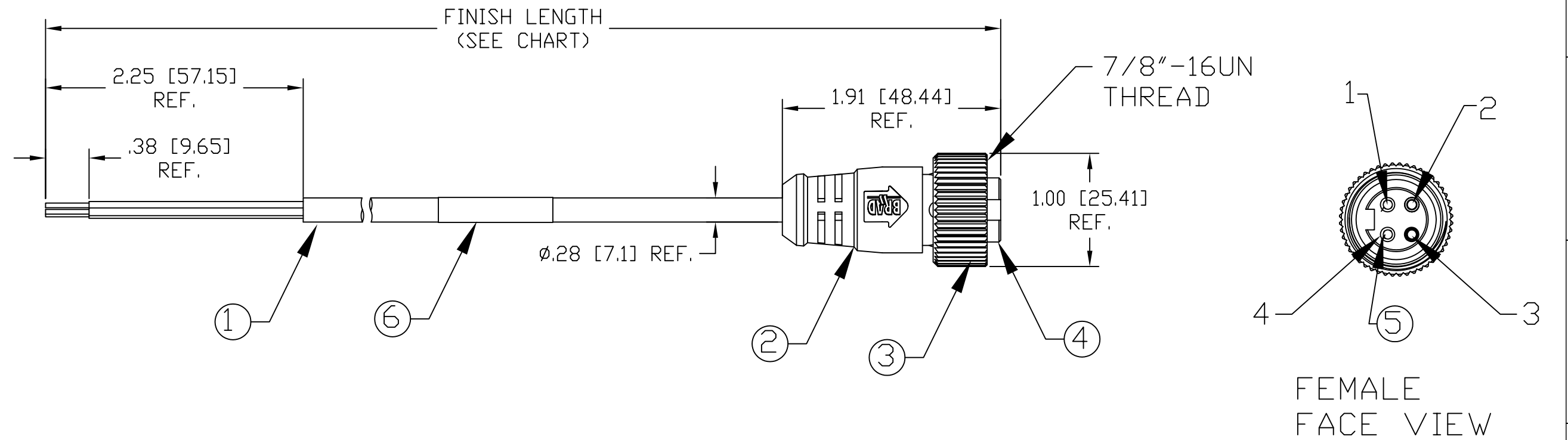
PLEASE CHECK WWW.MOLEX.COM FOR LATEST PART INFORMATION

13	12	11	10	9	8	7	6	5	4	3	2	1
J	PART NUMBER	ENGINEERING NUMBER	FINISH LENGTH									
	1300060812	104000A03F030	3.00' +1.75" -0 [.9M +44.5 -0]									
	1300060813	104000A03F060	6.00' +2.19" -0 [1.8M +55.6 -0]									
I	1300060816	104000A03F120	12.00' +3.50" -0 [3.7M +88.9 -0]									
	1300060820	104000A03F150	15.00' +6.50" -0 [4.6M +165.1 -0]									
	1300060821	104000A03F200	20.00' +6.50" -0 [6.1M +165.1 -0]									



NOTE

- 1) MATERIAL: SEE TABLE
- 2) FINISHES: SEE TABLE
- 3) WRAP LABEL IS MARKED WITH P/N, DATE CODE, VOLTAGE & AMPERAGE
- 4) MATES WITH: MINI CHANGE, 4 POLE RECEPTACLE
- 5) ELECTRICAL DATA:
 INLINE CORDSET
 FEMALE A-SIZE WITH FLYING LEADS
 18AWG UNSHIELDED
 POLES: 4
 MAX. VOLTAGE: 300V
 MAX. CURRENT 7A
 PROTECTION IP67
 TEMPERATURE RANGE: -20°C TO 105°C
- 6) PACKAGING:
 CABLE ASSEMBLIES ARE BAGGED SEPERATELY
 IN POLY BAGS WITH BAR CODE LABEL ATTACHED
 TO OUTSIDE OF BAG.
- 7) ASSEMBLY IS RoHS COMPLIANT.
- 8) CERTIFICATION
 CSA CERTIFIED, FILE NO. LR6837



P1

1	RED WITH BLACK
2	RED WITH WHITE
3	RED
4	GREEN-GND

WIRING DIAGRAM

ITEM	QTY.	DESCRIPTION	MATERIAL	FINISH
6	1	LABEL	PLASTIC FILM	BLACK/YELLOW
5	4	CONTACT SOCKET	COPPER ALLOY	GOLD PLATED
4	1	INSERT	PVC	YELLOW
3	1	COUPLING NUT	ZINC DIE CAST	BLACK E-COATED
2	1	OVERMOLD	PVC	YELLOW
1	1	CABLE, 18AWG-4	PVC	YELLOW

RELEASE EC NO: WNA2010-0397 DRWN: BWOODMAN2009/12/28 CH'KD: LHARTMAN APPR: JFMURPHY 2010/01/05	QUALITY SYMBOL	GENERAL TOLERANCES (UNLESS SPECIFIED)		DIMENSION STYLE		SCALE	DESIGN UNITS	THIRD ANGLE PROJECTION		
	$\nabla = 0$ $\sphericalangle = 0$	4 PLACES	mm	INCH	IN/MM		1:1	INCH		
		3 PLACES	\pm ---	\pm ---	DRAWN BY	DATE	TITLE			
		2 PLACES	± 0.13	± 0.010	LHARTMAN 2009/12/29		MINI CHANGE ASSEMBLY 4-POLE FEMALE ST 18/4 AWG PVC AUTO			
	1 PLACE	± 0.25	± 0.020	JFMURPHY 2010/01/05		MOLEX INCORPORATED				
		ANGULAR $\pm 1/2^\circ$		MATERIAL NO.		DOCUMENT NO.		SHEET NO.		
		DRAFT WHERE APPLICABLE MUST REMAIN WITHIN DIMENSIONS		SEE CHART		SD-130006-028		1 OF 1		
		THIS DRAWING CONTAINS INFORMATION THAT IS PROPRIETARY TO MOLEX INCORPORATED AND SHOULD NOT BE USED WITHOUT WRITTEN PERMISSION								